

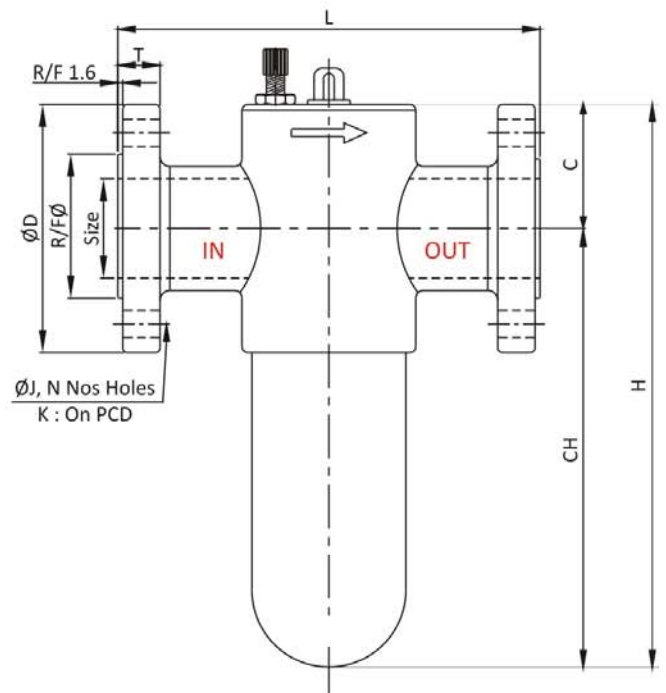
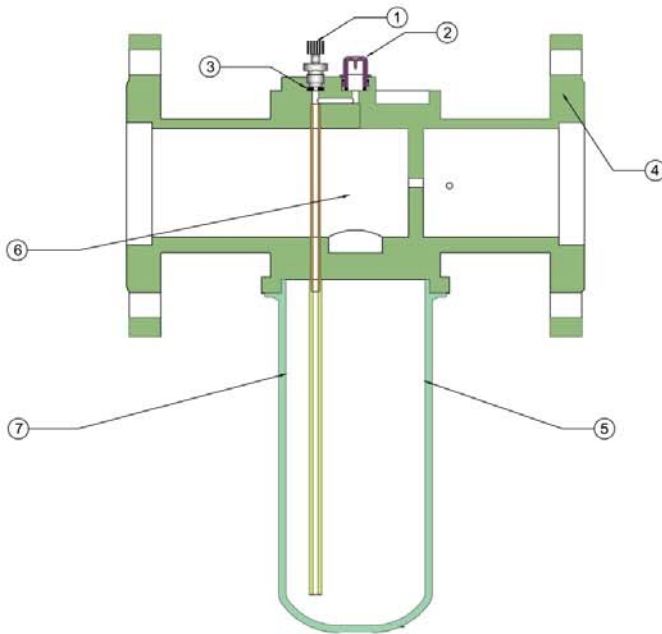
## Air Lubricator

### Features

- ▶▶ Heavy Duty Design
- ▶▶ Precise Regulating Lubrication
- ▶▶ Simple to Maintenance
- ▶▶ Easy to Installation
- ▶▶ Type of Oil to be used ISO VG32

### Technical Specification

Model	HFL - 65	HFL - 80	HFL - 100
Size	2.1/2"	3"	4"
Pressure	12 Kg/cm <sup>2</sup> (max.)		
Temperature	50 °C (max.)		
Oil Indicator	Poly Carbonate		
Recommended Oil	ISO VG 32		
Ends	Flanged 150#		
Media	Compressed air		



No.	Part Name	Material
1	Oil Adjusting Assem.	Brass
2	Oil Indicator Dom Set	Poly Carbonate
3	Rubber Sheet	NBR
4	Body	I.C. WCB
5	Bowl	Steel Fabricated
6	Pipe	Steel Plated
7	Oil Pipe	P. U.

### Dimensions :

(All Dimensions are in mm)

MODEL	SIZE	L	C	CH	ØR/F	ØD	b	PCD	ØJ	N	H	Weight (Kg.) Approx.
HFL - 65	2.1/2"	335	85	335	104.8	180	17.9	139.7	19.05	4	420	22.300
HFL - 80	3"	335	85	335	127	190	19.5	152.4	19.05	4	420	23.100
HFL - 100	4"	335	85	335	157.2	230	24.3	190.5	19.05	8	420	27.500